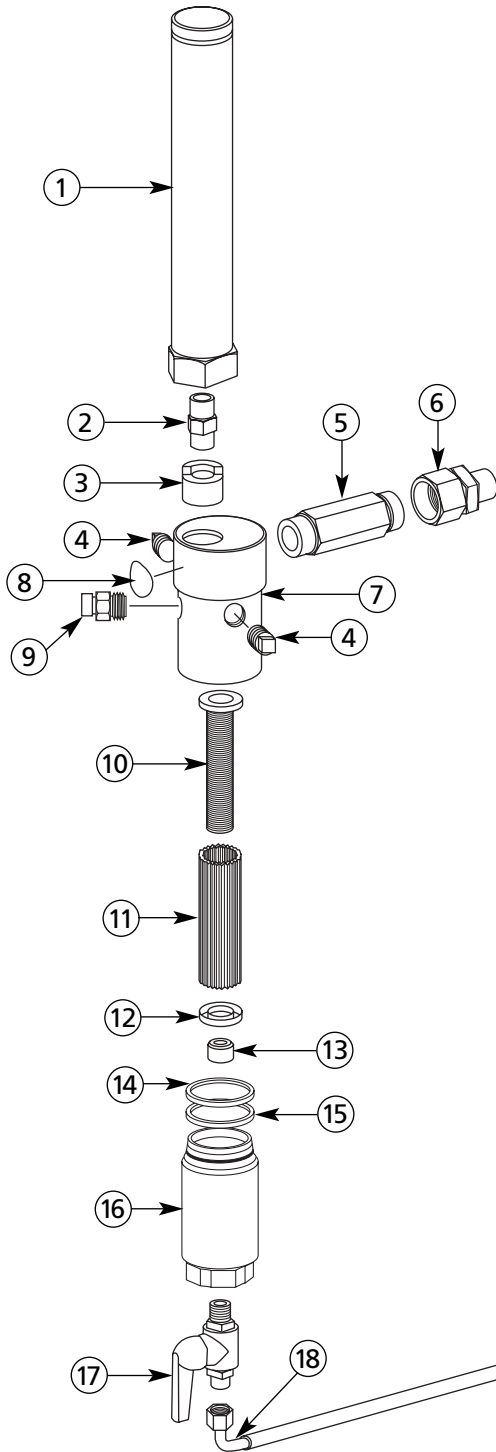


Model 101-1765 AND 101-2097 FILTER/PULSE ASSEMBLIES



MODEL 101-1765 PARTS LIST

When ordering, please specify Part No.

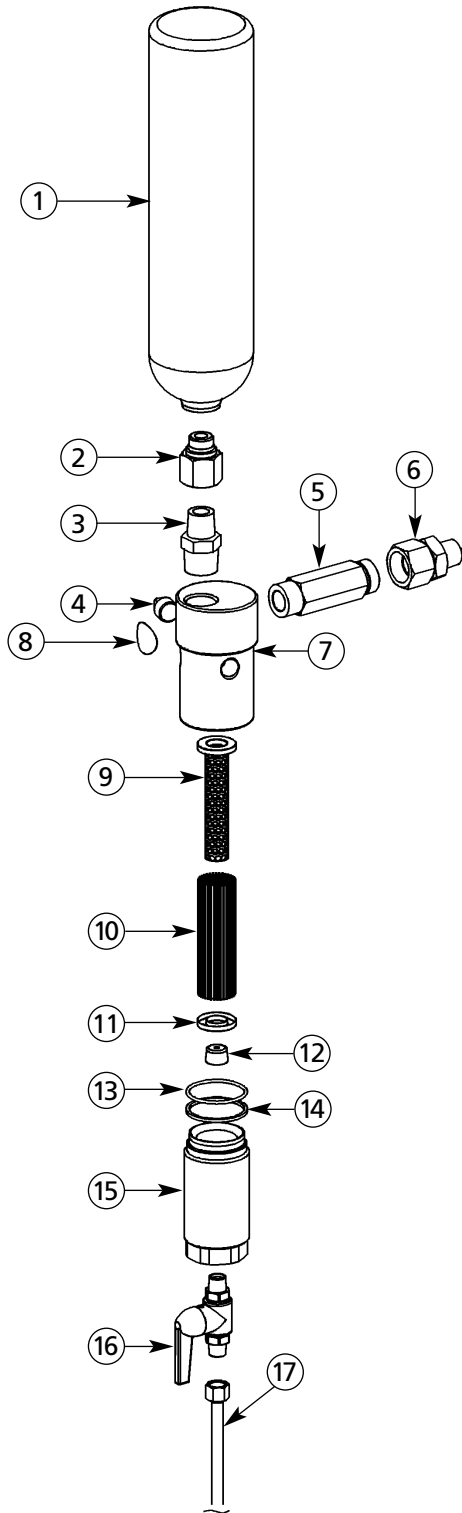
ITEM NO.	PART NO.	DESCRIPTION	QTY.
1	41-1020	PULSATION CHAMBER	1
2	72-998	D.M. NIPPLE	1
3	20-4347	BUSHING	1
4	20-1592	PLUG.....	2
5	101-713	NIPPLE	1
6	20-4066	SWIVEL ADAPTER	1
7	41-12652	FILTER BASE	1
8	41-2603	DECAL	1
9	72-988	D.M. NIPPLE	1
10	41-2631	SUPPORT TUBE	1
11	41-2629*	ELEMENT (50 Mesh)	1
12	41-2632	SCREEN CAP	1
13	41-10145	PLUG.....	1
14	20-5514	O-RING	1
15	20-5594	BACK-UP RING.....	1
16	41-12654	FILTER CAP	1
17	172-33535	BALL VALVE 1/4M x 1/4M Universal	1
18	71-7328	DRAIN HOSE ASSEMBLY	1

*REPLACEMENT ELEMENTS:

41-2627	100 Mesh (.006 Orifice)
41-2628	60 Mesh (.009 Orifice)
41-2629	50 Mesh (.012 Orifice)
41-2630	40 Mesh (.015 Orifice)
107-1527	20 Mesh (.034 Orifice)

MODEL 101-2097 PARTS LIST

When ordering, please specify Part No.



ITEM NO.	PART NO.	DESCRIPTION	QTY.
1	237-847	PULSATION CHAMBER	1
2	207-12282	ADAPTER WITH O-RING	1
3	72-1316	D.M. NIPPLE	1
4	20-1592	PLUG.....	2
5	101-713	NIPPLE	1
6	20-4066	SWIVEL ADAPTER	1
7	41-12652	FILTER BASE	1
8	41-2603	DECAL	1
9	41-2631	SUPPORT TUBE	1
10	41-2629*	ELEMENT (50 Mesh)	1
11	41-2632	SCREEN CAP.....	1
12	41-10145	PLUG.....	1
13	20-5514	O-RING	1
14	20-5594	BACK-UP RING.....	1
15	41-12654	FILTER CAP	1
16	72-13030	BALL VALVE 1/4M x 1/4M Universal	1
17	71-7302	DRAIN HOSE ASSEMBLY	1

*REPLACEMENT ELEMENTS:

41-2627	100 Mesh (.006 Orifice)
41-2628	60 Mesh (.009 Orifice)
41-2629	50 Mesh (.012 Orifice)
41-2630	40 Mesh (.015 Orifice)
107-1527	20 Mesh (.034 Orifice)

Sales and Service Through a Nationwide Network of Industrial Distributors.

Customer Service in USA / 1-800-992-4657

Technical Support in USA / 1-888-992-4657



195 Internationale Blvd.
Glendale Heights, IL 60139

2469R-2 Revisions: Added all information for 101-2097 on second page; revised all Parts Lists and Replacement Elements Lists.

Part Sheet 2469R-2 Printed in USA 5/03, All Rights Reserved