



# GTi® Millennium HVLP PRESSURE FEED GUN

Order No. 170159 Model No. GTI-520P-11

Order No. 170165 Model No. GTI-546P-14



## HVLP Technology with Large Spray Pattern

- Smooth material and air flow
- Easy to clean
- Produce a high gloss finish and minimize orange peel
- Excellent fluid control for applying more film build with fewer passes



### GTi® Millennium Pressure Feed Guns

Order No. Model No.	Type	Fluid Tip (mm)	Inlet Pressure	Application	Fluid Flow
170159 GTI-520P-11	HVLP	1.1	30 PSI	Low to medium solids	7-12 oz./min.
	HVLP	1.1	30 PSI	High solids	5-7 oz./min.
170165 GTI-546P-14	HVLP	1.4	50 PSI	High solids	9-12 oz./min.

### GTi® Millennium Pressure Feed HVLP Air Caps

Air Cap (HVLP)	Primers, base coats, clearcoats, and low VOC	Air Cap Order No.	Air Cap Model No.	Inlet Pressure	CFM	Air Cap Pattern
#2000	Primers, base coats, clearcoats, and low VOC	192136	GTI-407-2000	20-30 PSI	12.5-16.0 CFM	11"
#46MP	Primers, base coats, clearcoats, single stages and low VOC	192184	GTI-407-46MP	50 PSI	22.5 CFM	12"

Fluid tips 1.1 mm, 1.4 mm

Refer to Service Bulletin: SB-2-199

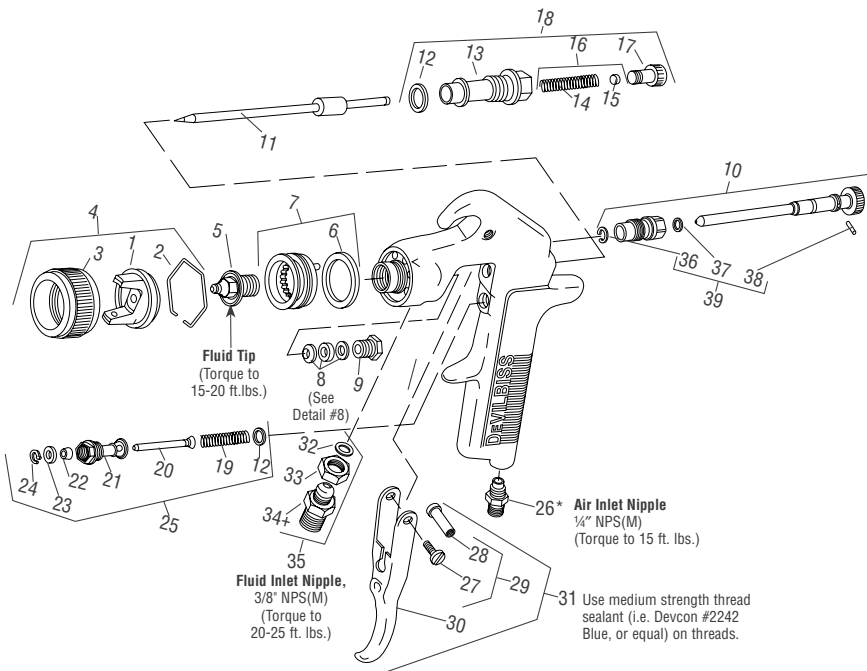


Chart 1: Air Cap and Baffle Combinations

Air Cap Part No.	Baffle	Ref. No. 4 Air Cap	Ref. No. 7 Baffle Assy.	CFM@ Cap Pressure				
				2 PSI	4 PSI	6 PSI	8 PSI	10 PSI
2000	(Not Stamped)	GTI-407-2000 / 192136	GTI-425	7.3	10.4	12.8	14.7	16.5
46MP	46	GTI-407-46MP / 192184	*JGPV-401-46-50	8.5	13.0	16.5	19.8	22.5

NOTE: Baffle Seal NOT used with GTI-546P gun (46MP air cap).

Chart 2: Fluid Tip and Needle

If this no. is on needle, order →	If this no. is on tip, order →	Order Matched Fluid Tip and Needle Assembly	Tip Size I.D. in.	Tip Size I.D. mm
JGA-402-FF	AV-2120-FF / 191517	JGA-4045-FF	.055	1.4
JGA-402-FX	AV-2120-FX / 191518	JGA-4045-FX	.043	1.1

• 192227 (KK-5058-2) Gun Repair Kit includes a quantity of necessary parts.  
+ Use medium strength thread sealant (i.e. Devcon #2242 Blue or equal) on threads.  
Suffixes: -K5 designates kit of multiple parts. Example: JGA-4035-K5 is a kit of 5 packings.

Ref. No.	Order No.	Model No.	Description	Ind. Parts Req.
1	—	—	Air Cap	1
2	191972	JGA-156-K10	Spring Clip (Kit of 10)	1
3	192042	GTI-3	Air Cap Retaining Ring	1
4	See Chart 1	—	Air Cap and Retaining Ring	1
5	See Chart 2	—	Fluid Tip	1
6	192179	GTI-33-K5	Baffle Seal (Kit of 5)	1
7	See Chart 1	—	Baffle Assembly	1
8	192109	JGA-4035-K5	Packing (Kit of 5)	1
9	190893	34411-122-K10	Packing Nut	1
10	192051	GTI-405	Spreader Valve	1
11	See Chart 2	—	Fluid Needle	1
12	190161	JGS-72-K10	Gasket Kit (PTFE) (Kit of 10)	2
13	—	—	Body Bushing	1
14	—	—	Fluid Needle Spring	1
15	—	—	Spring Pad	1
16	190894	MBD-19-K10	Spring and Pad (Kit of 10)	1
17	192043	GTI-414	Needle Adjusting Screw	1
18	192139	KK-5059	Bushing, Spring, Pad & Knob Kit	1
19	—	—	Air Valve Spring	1
20	—	—	Air Valve	1
21	—	—	Air Valve Body	1
22	—	—	U Cup Seal	1
23	—	—	Washer	1
24	—	—	Snap Ring	1
25	190780	JGS-449-1	Air Valve Assembly	1
+26	190287	P-MB-51	Air Inlet Nipple 1/4" NPS(M)	1
27	—	—	Trigger Stud Screw	1
28	—	—	Trigger Stud	1
29	190889	JGS-478	Stud and Screw Kit	1
30	—	—	Trigger	1
31	191943	JGS-477-1	Trigger Stud, Screw Kit	1
32	—	—	Fluid Inlet Gasket (PTFE)	1
33	—	—	Locknut	1
+34	—	—	Fluid Inlet Adapter	1
35	190888	JGA-4042	Fluid Inlet, Gasket, Nut Kit	1
36	—	—	Retaining Clip	1
37	—	—	Seal	1
38	—	—	Pin	1
39	192229	GTI-428-K5	Clip, Seal & Pin (Kit of 5 Each)	1